



WeedSeeker[®] Automatic Spot Spray System

Cut Weed-Control Costs By Up To 80%

Weeds drain the nutrients and water from the soil reducing yield and profits. The WeedSeeker[®] system helps you save on chemical costs, cut down on time and labor, and reduce the environmental impact of your field activities. The WeedSeeker system will spray only weeds, not bare ground, and is effective wherever weeds occur intermittently. The WeedSeeker system is being used in agriculture, as well as along roadsides, railroad rights-of-way, airport runways, parking lots, parks, hiking trails, etc. The possibilities are limitless.

Application

Farmers use WeedSeeker systems to control weeds for chem-fallow spraying, no-till field spraying, lay-by spraying, pre-plant weed spraying and post-harvest weed control by automatically spot spraying the weeds and not bare soil.

WeedSeeker system use

The WeedSeeker system uses advanced optics and computer circuitry to sense the presence of a weed. When a weed enters the sensor's field of view, it signals a spray nozzle to deliver a precise amount of herbicide only to that weed. Herbicide use is reduced 60% to 80% on most spray applications.

Current Practices

Self-propelled, utility vehicles, ATVs or pull-behind sprayers all constantly apply herbicide regardless of high or low the weed coverage. Herbicide costs are the same in either situation.



Value/Benefits

- Reduce chemical costs up to 80%
- Eliminate manual spot spraying crews
- Reduce spray passes by combining with mowing or discing equipment
- Environmentally friendly
- Sprays day or night
- Reduces spray drift
- Retrofits existing equipment
- Sprays only green plants, not bare soil
- Economical application of high chemical rates to maximize weed kill
- Helps reduce herbicide-resistant weeds
- Allows additional spray passes late in the season to kill weeds before seeding

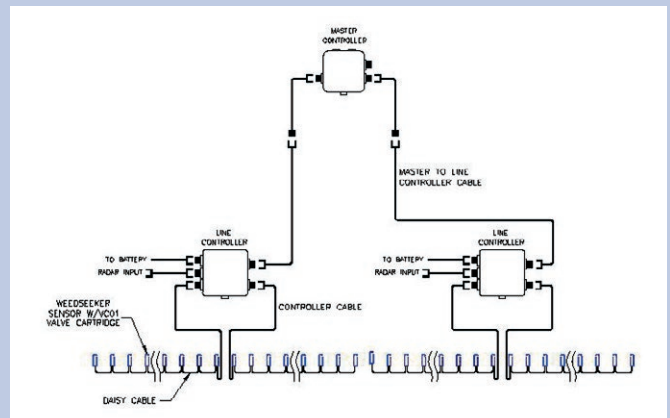


Simple Operation

- The WeedSeeker system uses standard pumps, tanks and plumbing so an existing spray boom can be retrofitted or a new spray boom may be purchased

Weedseeker System Equipment

- WeedSeeker Model 650 or Model 655 sensors are mounted on up to a 150 ft. boom
- Each sensor applies herbicide in a 12" or 15" section of the boom
- Operating independently, the sensors automatically spot spray weeds, day or night, at speeds up to 10 mph
- For applications that require a higher speed, the system can be set up to spray as fast as 20 mph
- A WeedSeeker Sensor is connected to a Line Controller up to 15 per side, 30 total



Trimble Agriculture Division
 10368 Westmoor Drive
 Westminster, CO 80021
 USA
 +1-720-887-6100 Phone
 +1-720-887-6101 Fax

Trimble Navigation Limited
 Corporate Headquarters
 935 Stewart Drive
 Sunnyvale, CA 94085
 USA
 +1-408-481-8000 Phone
 +1-408-481-7740 Fax



www.trimble.com/agriculture